

# Mother's Room wet area Unit (2nd Floor)

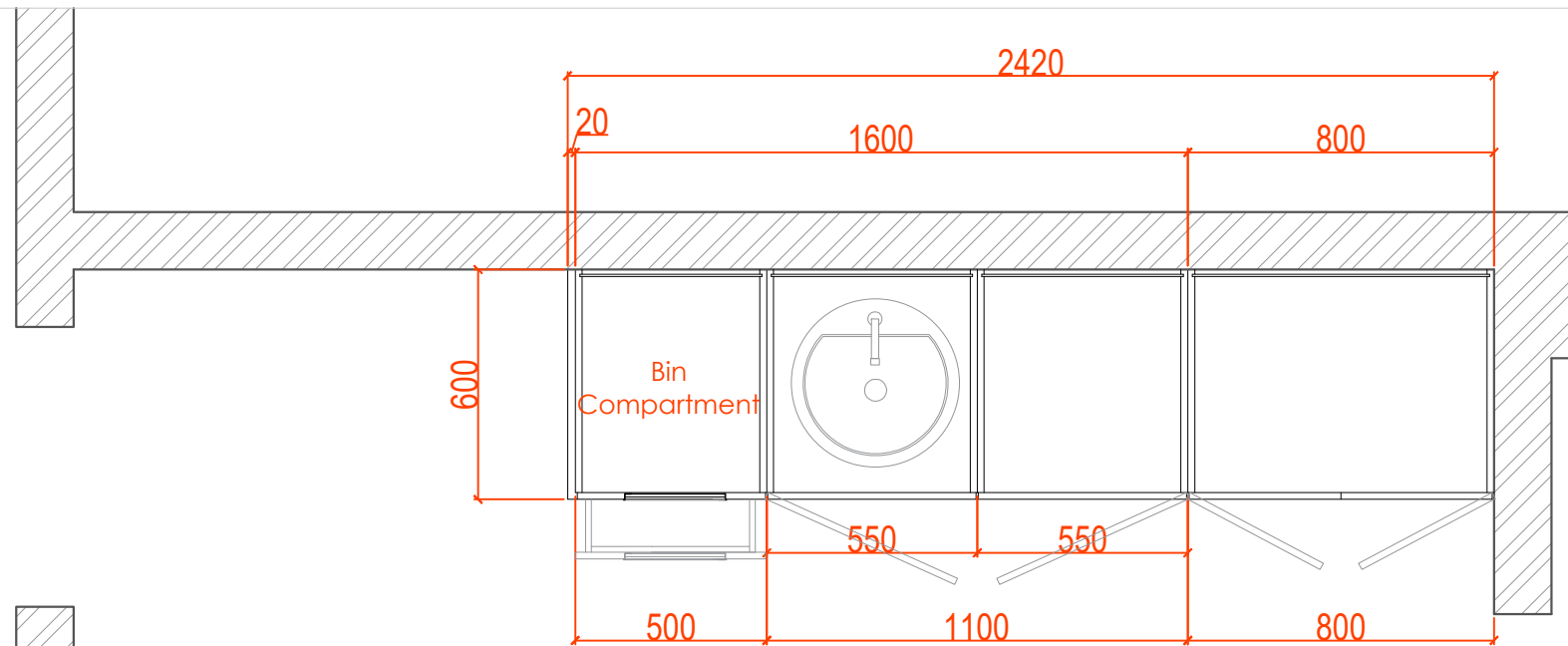
(excluding appliances)

Base cabinet with white corian top, Tall unit in laminate finish (Swiss krono Moor Oak) with Glazed Backsplash and stainless steel skirting.

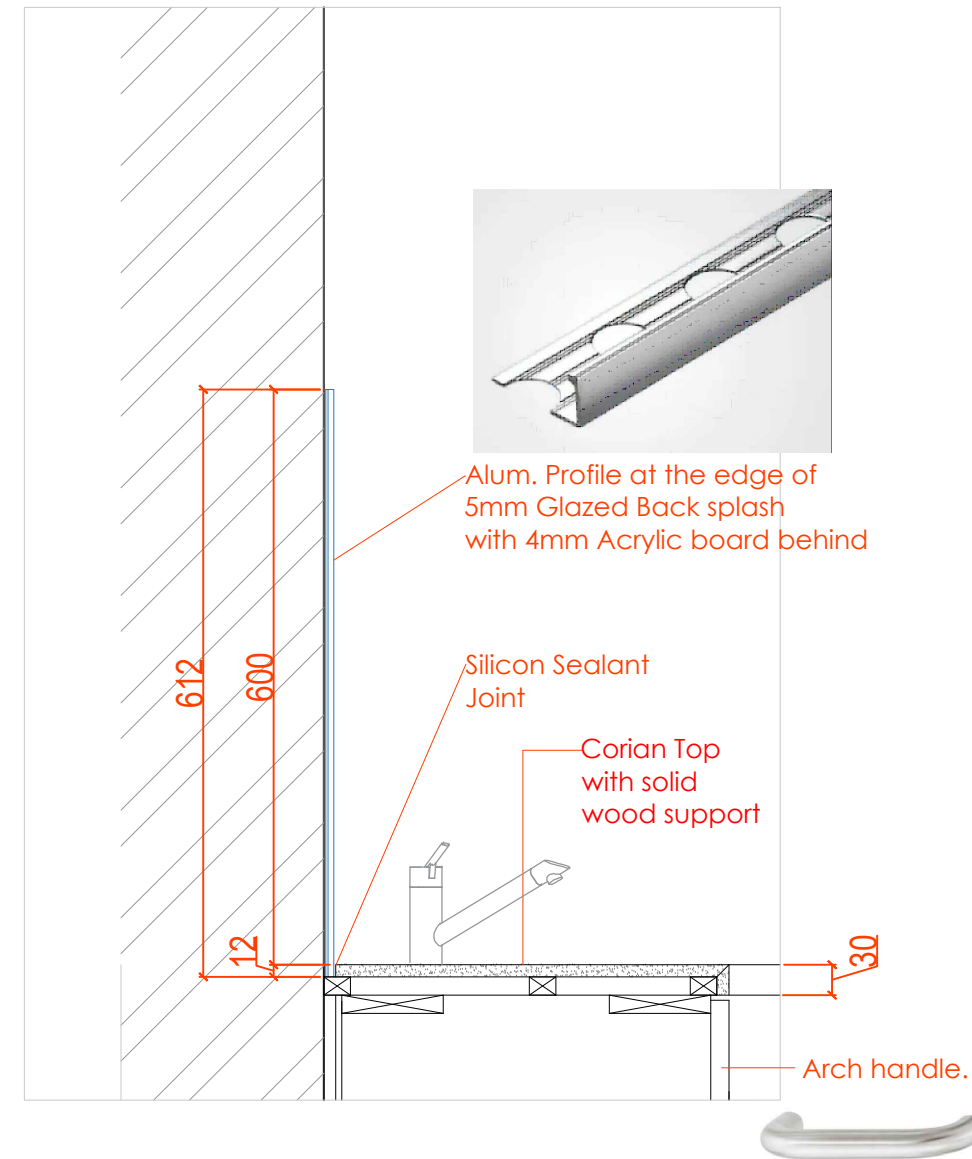
ITEM 13 ON THE LIST  
QTY 1

Mother's Room

FINISHING CODE SW287



Mother's Room wet area Unit  
Floor Plan Details



www.wood-styles.com

Copyright of designs shown herein is retained by this office. Authority is required for any reproduction. © Copyright Wood-styles Ltd.

Nigeria, Lagos +234 80 9037 9888  
Email: info@wood-styles.com

Project  
SHELL CW866175  
SHELL PROJECT  
EAGLE -ALPHA 1 TOWER

Owner  
---

Date	Description
DSD-V1-ID-16/5/2024	- REV1
DSD-V1-ID-10/6/2024	- REV 2
DSD-V1-ID-26/6/2024	- REV 3

**FOR APPROVAL**

Project No. : ---  
Scale : N/A  
Drawn by : OBJ  
Checked : OBJ  
Cad File : CAD\_FILE

Sheet title  
Mother's Room wet area Unit  
Floor Plan Details

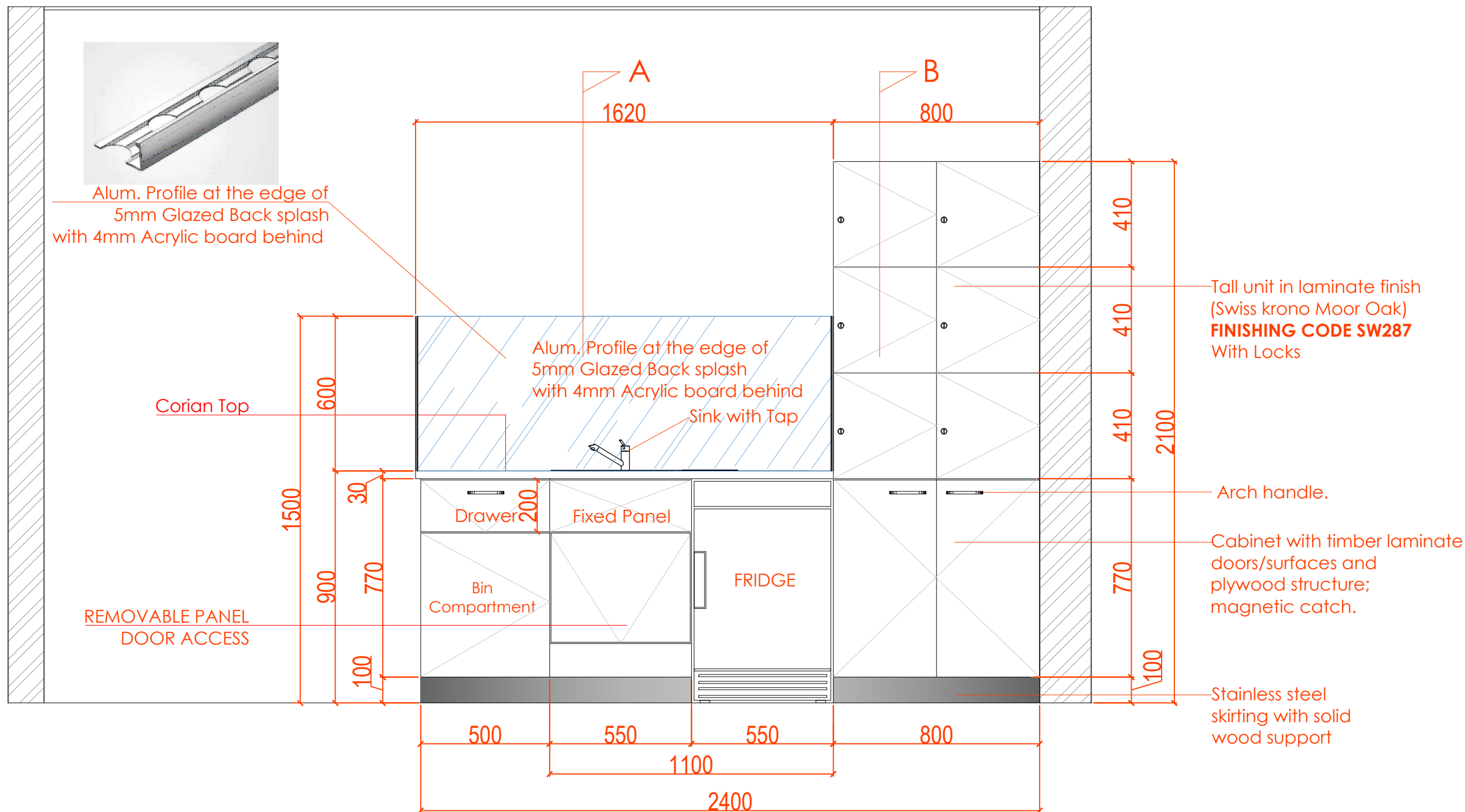
Dwg No. WS-DS-SD-SH-013	No. SHEET 1
----------------------------	----------------

**FOR APPROVAL**

Project No. : ---  
Scale : N/A  
Drawn by : OBJ  
Checked : OBJ  
Cad File : CAD\_FILE

Sheet title  
**Mother's Room wet area Unit  
FRONT ELEV. WITH DOOR Details**

Dwg No. WS-DS-SD-SH-013	No. SHEET 3
----------------------------	----------------



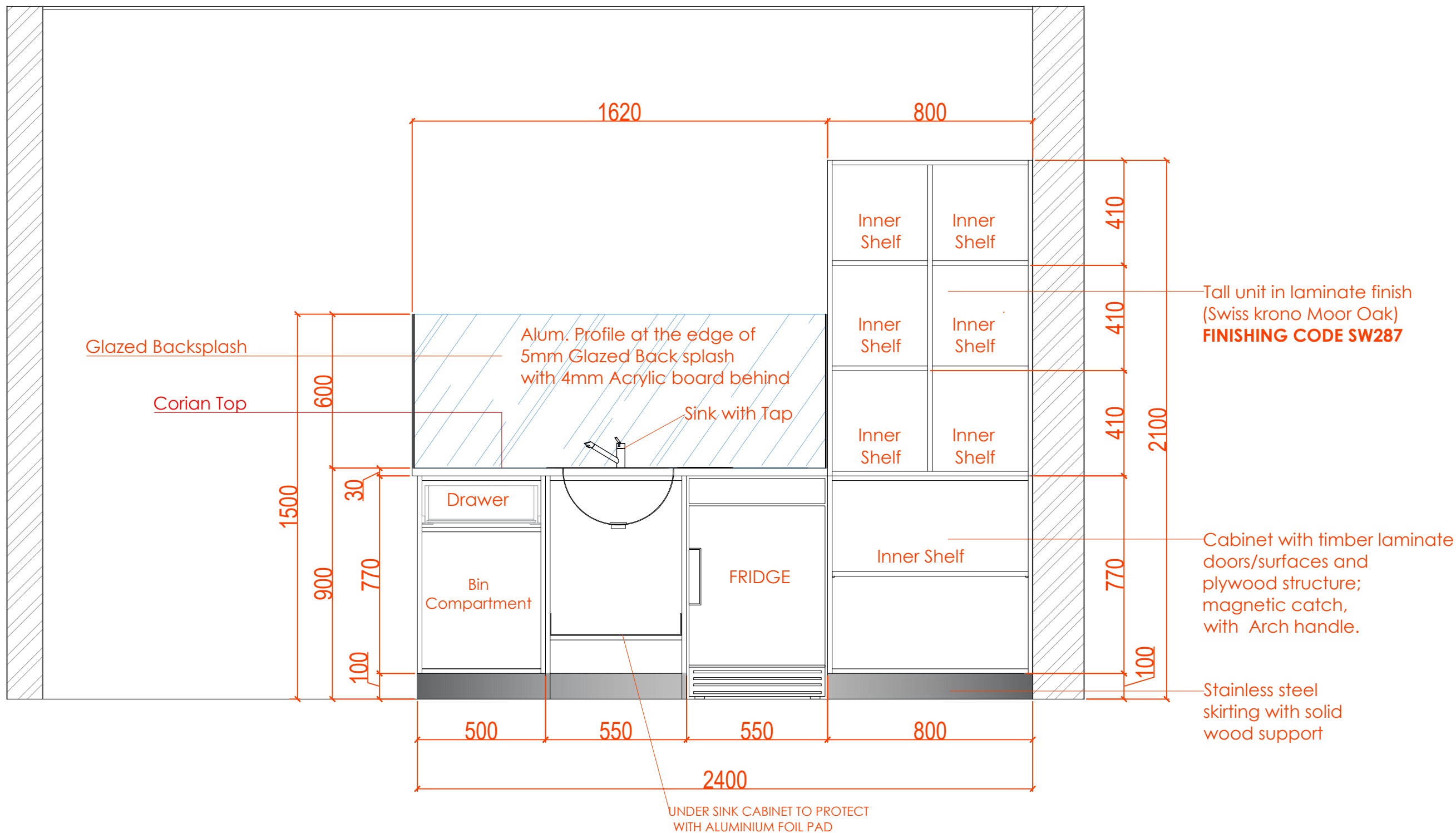
**Mother's Room wet area Unit  
FRONT ELEV. WITH DOOR  
Details**

**FOR APPROVAL**

Project No. : ---  
Scale : N/A  
Drawn by : OBJ  
Checked : OBJ  
Cad File : CAD\_FILE

Sheet title  
Mother's Room wet area Unit  
INNER VIEW Details

Dwg No. WS-DS-SD-SH-013	No. SHEET 2
----------------------------	----------------



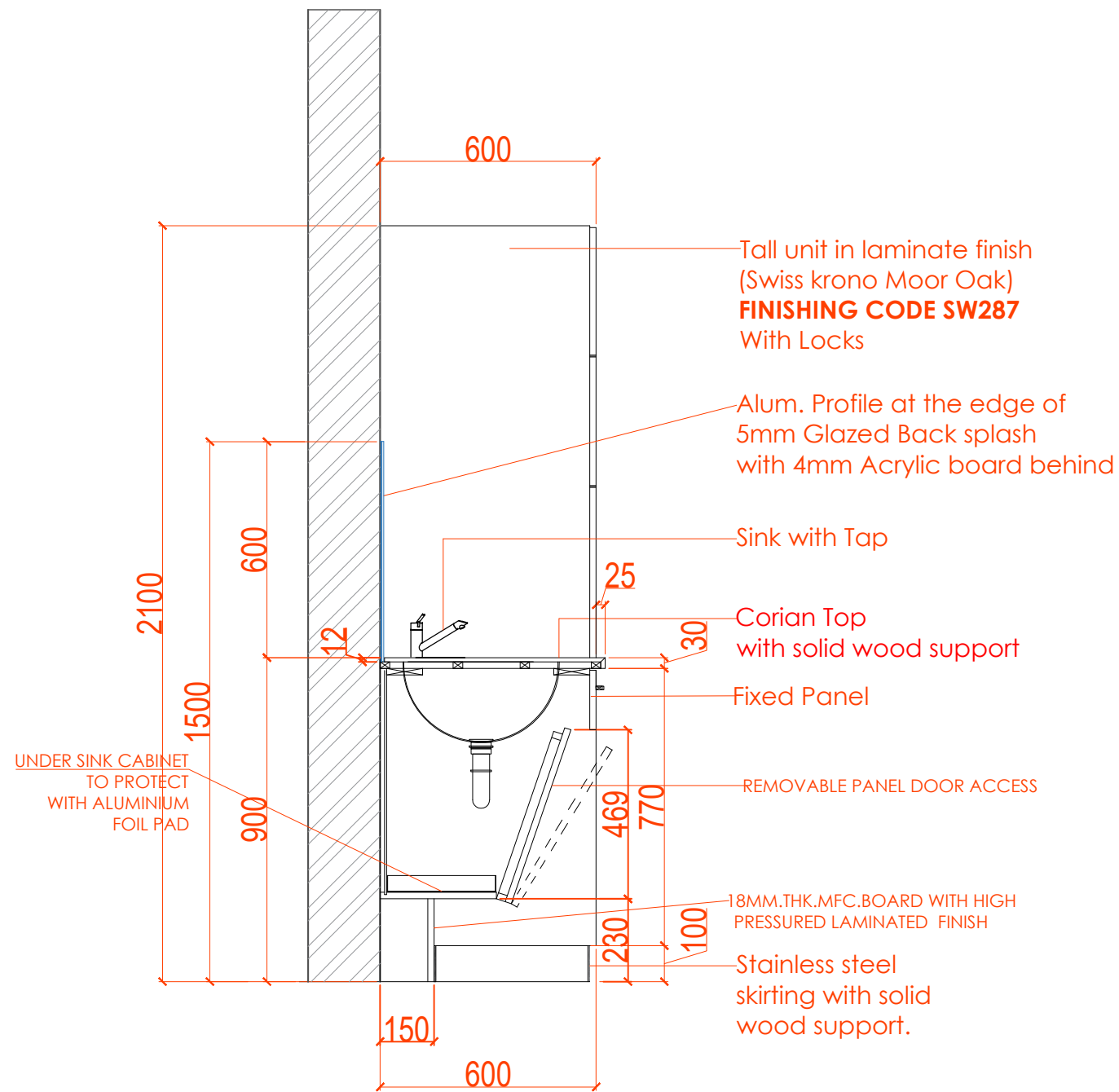
**Mother's Room wet area Unit**  
**INNER VIEW Details**  
**FINISHING CODE SW287**

**FOR APPROVAL**

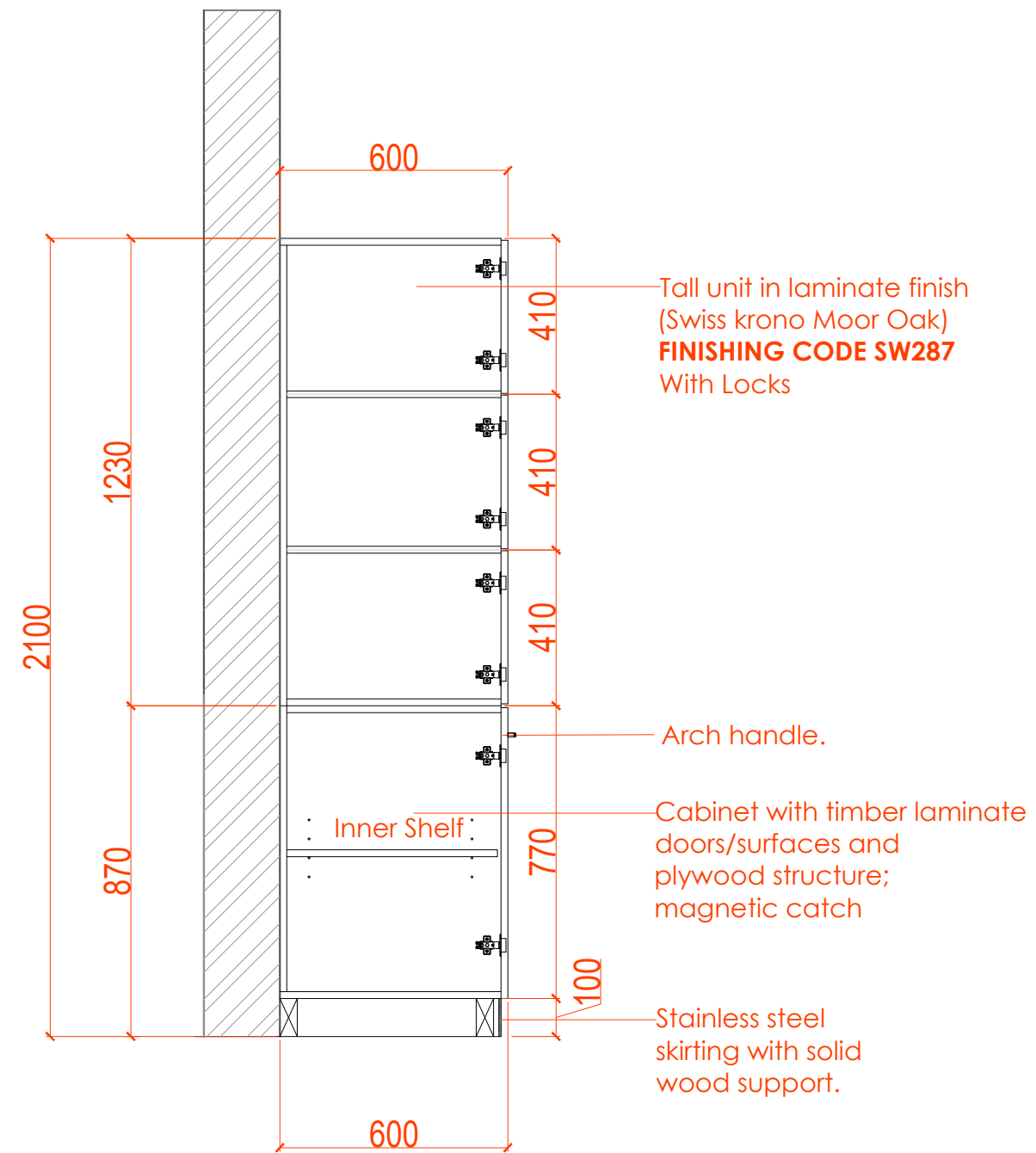
Project No. : ---  
Scale : N/A  
Drawn by : OBJ  
Checked : OBJ  
Cad File : CAD\_FILE

Sheet title  
**Mother's Room wet area Unit  
SECTIONAL Details-A and B**

Dwg No. WS-DS-SD-SH-013	No. SHEET 4
----------------------------	----------------



Mother's Room wet area Unit  
SECTIONAL Details-A



Mother's Room wet area Unit  
SECTIONAL Details-B